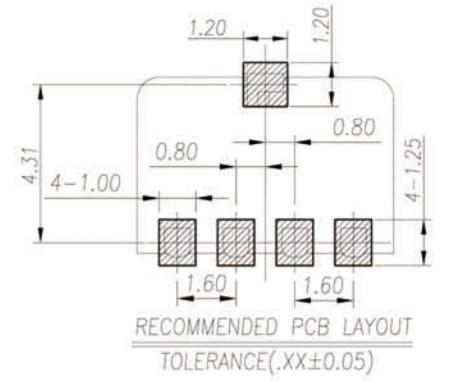
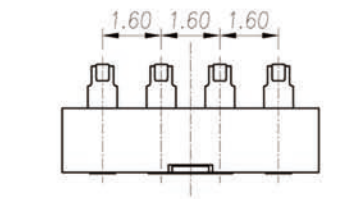
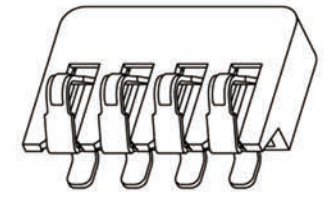
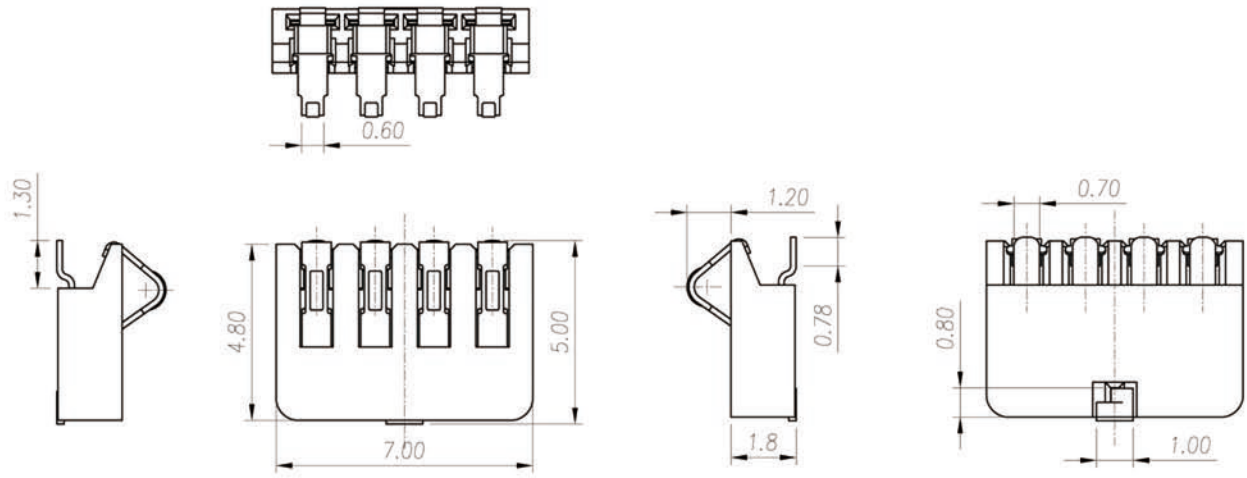


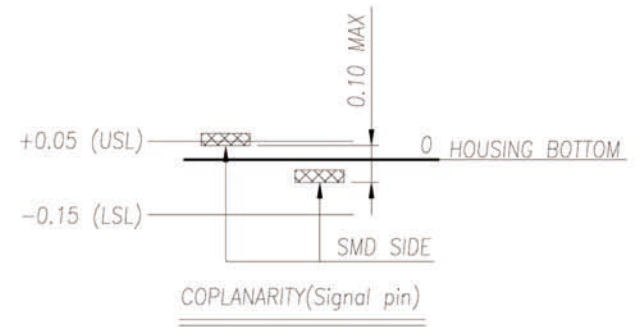
1 2 3 4 5 6 7 8

A
B
C
D
E

A
B
C
D
E



- NOTES:
- 1) MATERIAL:
HOUSING:THERMOPLASTIC,UL 94V-0, COLOR:BLACK
CONTACT:COPPER ALLOY T=0.15mm
 - 2) FINISH:
CONTACT: GOLD PLATING ON CONTACT AREA(SEE P/N)
80~120u" MIN.NICKEL UNDERPLATING OVER ALL
 - 3) ELECTRICAL SPECIFICATIONS:
VOLTAGE RATING:250V
CURRENT RATING: 2A
INSULATION RESISTANCE: 1000MEG.OHM MIN
CONTACT RESISTANCE: 50 MILL.OHM MAX
OPERATION TEMPERATURE: -55° TO +125°
DURABILITY: 3000 CYCLES



UNITS:		CSCONN	CSCONN PRECISE ELECTRONICS CO.,LTD				
mm GENERAL TOLERANCE			PART NO.(INTENDED USE) CBA-160430-18		TITLE: BATTERY 4P 1.6MM H=1.8MM		
X. ° ±5°	0.X±0.25	APPD:		DWG NO. BATTERY			
X. 1±2°	0.XX±0.2	CHKD: Skila			SCALE	SHEET	REV
XX. ±1°	0.XXX±0.1	DR: Kitty			1:1	1 OF 1	A

1 2 3 4 5 6 7 8