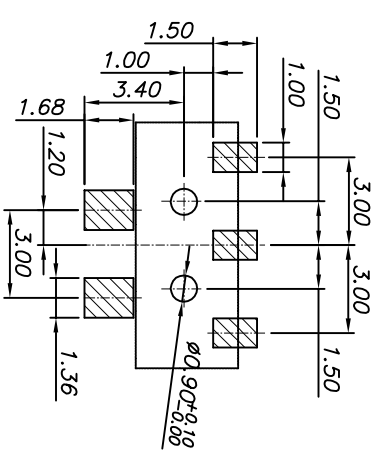
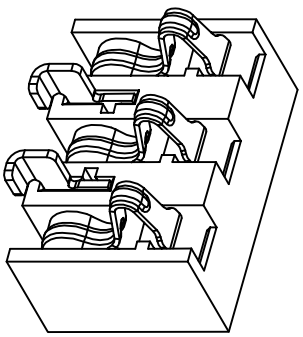


- NOTES:
- MATERIALS
 - HOUSING: THERMOPLASTIC, UL94-V0.
 - TERMINAL: COPPER ALLOY.
 - PLATING: NICKEL PLATED OVERALL, GOLD PLATED ON CONTACT AREA AND SOLDER TAILS.
 - SOLDER: COPPER ALLOY.
- PLATING: Matte-In
- SPECIFICATIONS:
 - CURRENT RATING: 0.5AMP MAX.
 - DIELECTRIC WITHSTANDING VOLTAGE: 500V AC FOR 1 MINUTE.
 - CONTACT RESISTANCE: 50m OHMS MAX.
 - INSULATION RESISTANCE: 500M OHMS MIN AT 250V DC.
 - DURABILITY (LIFE CYCLES): 3000 CYCLES.
 - OPERATION TEMPERATURE: 25°C ~ +85°C.



RECOMMEND PCB LAYOUT, TOP VIEW
 TOLERANCE: ±0.05
 ■ PCB AREA □ CONNECT AREA

TABLE:

No.	PART No.	DIM A	DIM B
1	CBA033065401003	5.40	3.70
2	CBA03306701003	5.70	4.00
3	CBA03307501003	6.00	4.30
4	CBA03306201003	6.20	4.50
5	CBA03306501003	6.50	4.80

CSCONN

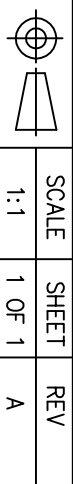
CSCONN PRECISE ELECTRONICS CO., LTD

UNITS: mm
 GENERAL TOLERANCE
 X. ± 5° 0.3±0.3
 X.1 ± 2° 0.3X±0.2
 XX ± 1° 0.3XX±0.1
 XXX ± 0.5°

PART NO. (INTENDED USE)
 CBA0330XX01003
 TITLE: BATTERY 3P 3.0MM H=XXMM 带柱

APPD:
 CHKD: SK11a
 DWG NO. BATTERY

DR: Kitty



SCALE 1:1
 SHEET 1 OF 1
 REV A