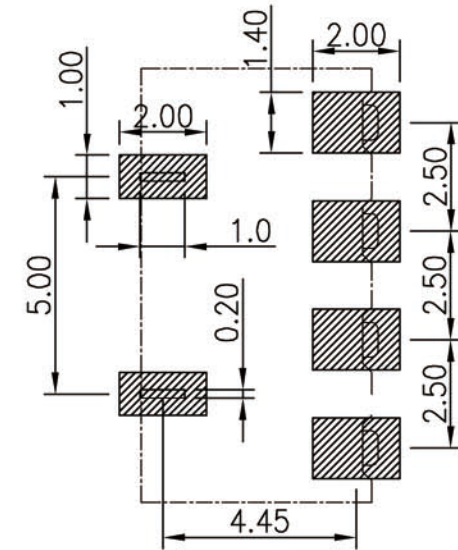
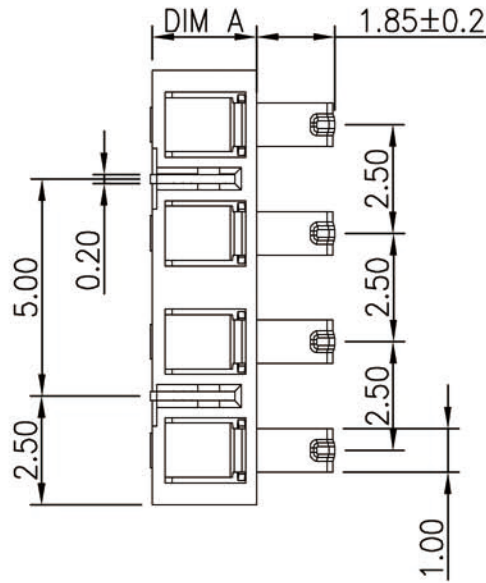
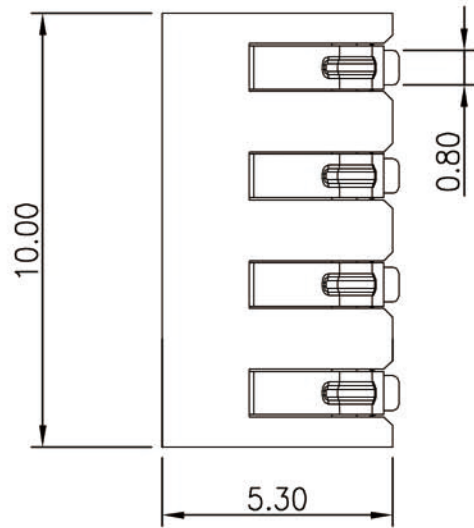


SPECIFICATIONS:

1. CURRENT RATING: 2A 12V AC/DC.
2. CONTACT RESISTANCE: $30_m\Omega$
3. INSULATION RESISTANCE: $500_m\Omega$
4. OPERATING TEMPERATURE RANGE: -40°C TO $+85^{\circ}\text{C}$.
5. MARKED " " ARE IMPORTANT DIMENSIONS.



RECOMMENDED PCB LAYOUT

PART NO.	DIM A	DIM B
CBA250424001	2.4	4.30 ± 0.2
CBA250430001	3.0	4.90 ± 0.2
CBA250435001	3.5	5.40 ± 0.2

UNITS: mm		CSCONN	CSCONN PRECISE ELECTRONICS CO.,LTD			
GENERAL TOLERANCE			PART NO.(INTENDED USE)	TITLE: BATTERY 4P 2.5MM H=2.4~3.5MM		
X. ° ±5°	0. X±0.25	CBA2504XX001		DWG NO. BATTERY		
X. 1±2°	0. XX±0.2	APPD:		SCALE		
XX. ±1°	0. XXX±0.1	CHKD: Skila		SHEET		
		DR: Kitty		REV		
					1:1	1 OF 1
						A