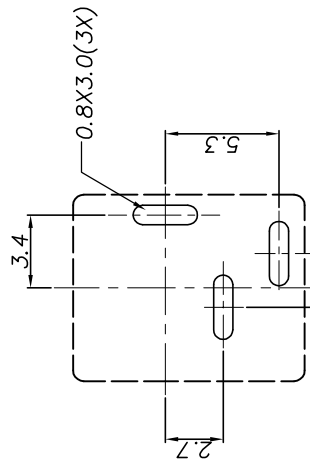
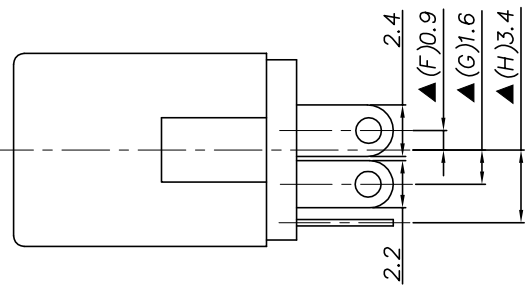
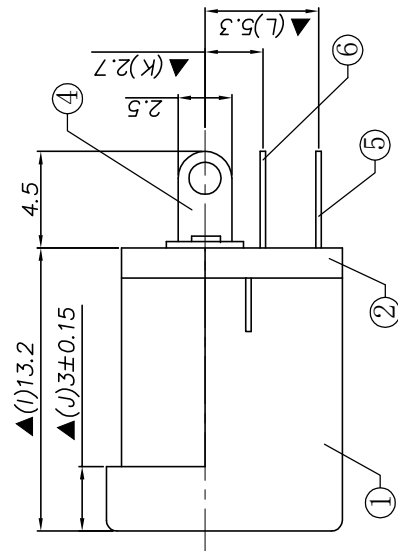
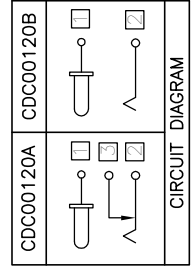


Specification:

1. Rating : DC 20V 2A.
2. Contact resistance: $\leq 50m\Omega$.
After test: $\leq 100m\Omega$
3. Insulation resistance: $\geq 100M\Omega$ (500VDC).
After test: $\geq 50M\Omega$
4. Withstanding voltage: 500VAC.
5. Insertion and extraction force: 3N~30N.
6. Life test: 5000cycles min.
7. Operation temperature range: $-20^{\circ}C \sim 70^{\circ}C$.
8. Preservative temperature range: $-40^{\circ}C \sim 85^{\circ}C$.
9. Sign "▲" is importance dimension.



RECOMMENDED P. C. B. LAYOUT
 UNSPECIFIED TOLERANCE: ± 0.05
 (BOTTOM VIEW)



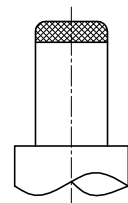
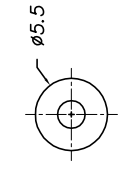
□ : TERMINAL NO.

Model No.	CDC00120-H	CDC00120-I	CDC00120-J
PIN	$\phi 2.0$	$\phi 2.35$	$\phi 2.5$

⑥	Shunt terminal	1	Brass t0.3	Tin plating
⑤	Tip spring	1	Manganese steel t0.2	Tin plating
④	Center pin terminal	1	Brass t0.3	Tin plating
③	Center pin	1	Copper alloy	CuSn plating
②	Cover	1	PF	Brown
①	Housing	1	PBT	

UNITS:	mm
GENERAL TOLERANCE	
X. $\pm 5^{\circ}$	$0. X \pm 0.3$
X. $1 \pm 2^{\circ}$	$0. XX \pm 0.2$
XX. $\pm 1^{\circ}$	$0. XXX \pm 0.1$
XXX. $\pm 0.5^{\circ}$	

CSCONN		CSCONN PRECISE ELECTRONICS CO.,LTD	
PART NO.(INTENDED USE) CDC00120		TITLE: DC JACK	
APPD:		DWG NO. DC JACK	
CHKD: Skila		SCALE SHEET REV	
DR: Kitty		1:1 1 OF 1 A	



DC MATE PLUG