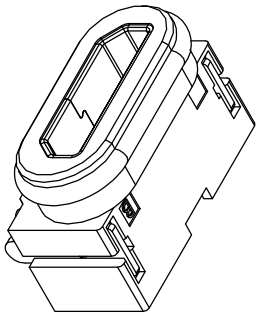
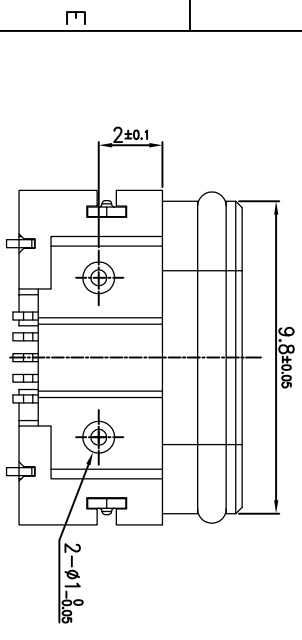
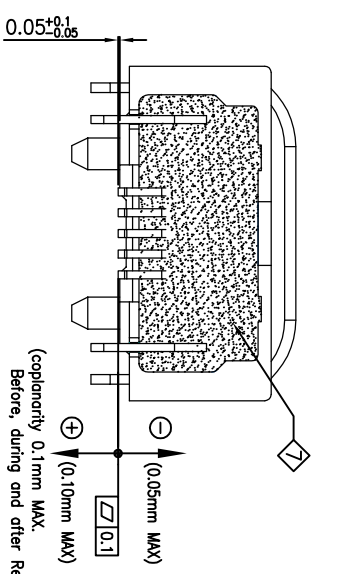
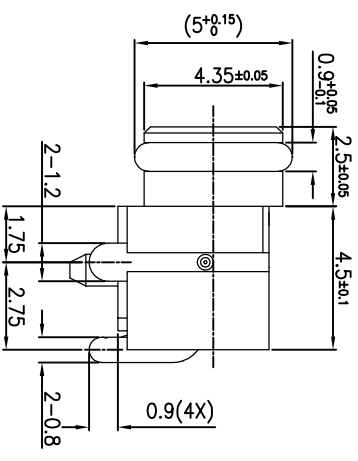
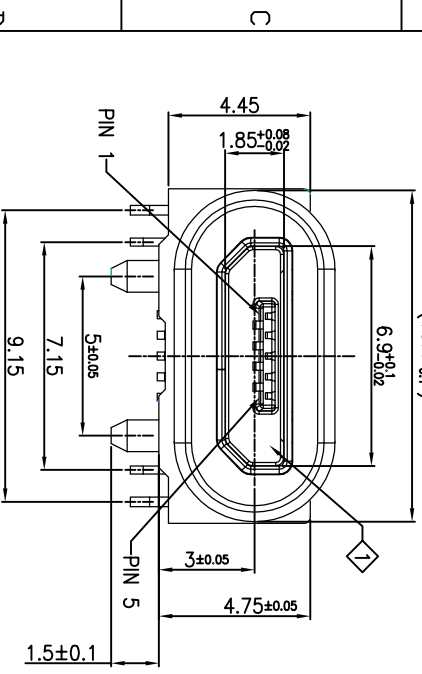


Recommended PCB Layout  
Tolerance: ±0.1 (Top view)

- SPECIFICATIONS:
1. ELECTRICAL CHARACTERISTICS:
- 1-1 RATING: 1.8A (PIN1/5) 0.5A (PIN2/3/4)
  - 1-2 CONTACT RESISTANCE: 30mΩ MAX.(INITIAL)
  - 1-3 DIELECTRIC WITHSTANDING VOLTAGE: 300V AC FOR ONE MINUTE.
  - 1-4 INSULATION RESISTANCE: 100MΩ MIN. MEASURED BY 500 VDC
2. MECHANICAL CHARACTERISTICS:
- 2-1. INSERTION FORCE : 3.6 KGF (MAX)
  - 2-2. WITHDRAWAL FORCE : 0.8 KGf(Reference)
3. DURABILITY: 10,000 CYCLES .
4. WATER PROOFNESS: THIS PRODUCT IS BASED ON IPX7(1m,30min)
5. PLUG INTERFACE DIMENSIONS CONFORM TO USB2.0 SPEC.
6. OVAL RING
- 6-1. The amount of low molecular siloxanes(D3~D10) is less than 200ppm
  - 6-2. Hardness of silicone rubber: 70°
  - 6-3. Horizontal flash 0.1mm; Longitudinal flash 0.10mmx
7. BODY WITH O-RING'S SEAL AREA BURRS IS 0.05mm Max.
8. FOR REFLOW SOLDERING LEAD-FREE PROCESS.
9. PACKAGING: TAPE & REEL.



UNITS: mm	<b>CSCONN</b>		CSCONN PRECISE ELECTRONICS CO.,LTD	
GENERAL TOLERANCE	PART NO. (INTENDED USE)	TITLE: MICRO USB 5P DIP 防水		
X. ° ±5° 0.X ±0.25	CMU0657005001	DWG NO.	MICRO USB	SCALE
X. 1±2° 0.XX ±0.2	APPD: Skilla			SHEET
XX. ±1° 0.XXX ±0.1	CHKD: Kitty			1 OF 1
	DR: Kitty			REV
				A