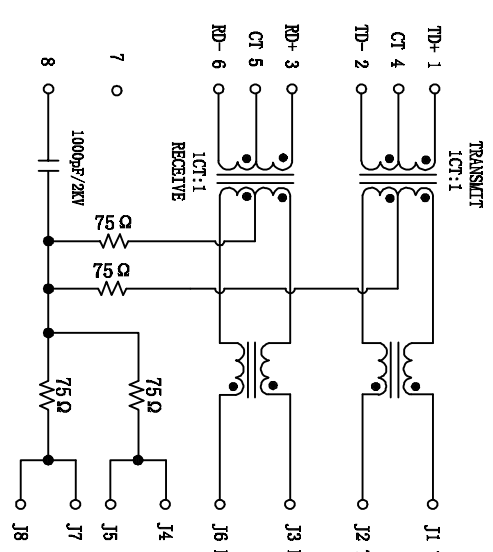


Specification LED

Standard LED Color	LED Wavelength (nm)	Forward (V MAX)	Typical (V TYP)	Luminous Intensity
Green	560-580 nm	2.5V	21-22V	9-25 MCD
Yellow	580-610 nm	2.5V	21-22V	9-30 MCD

PCB LAYOUT

PC BOARD CONNECTIONS



RJ45 CONNECTOR

MATERIAL:
Housing: PBT, UL94V-0, Black.
Terminal: C5210R-EH, AU SU* plating at contact area.

MECHANICAL:
Durability: 750 cycles
Operation temperature: -40C~+85C.
Normal force at mated position: 100g min.

ELECTRICAL:
1. Voltage rating: 125V AC.
2. Insulation resistance: 1000 megohms MIN @50VDC.
3. Contact resistance: 50 milliohms Max.
4. I/R: RX=1CT(+/-5%)&TX=1CT:1CT.
5. OCL: 350uH Min at 100 KHz/0.1Vrms with 8mA Bias From 0C To 70C.
6. Insertion Loss: -1.0 dB Max 1MHz TO 100MHz.
7. Return Loss: -16dB Min From 1MHz To 30MHz; -14dB Min From 30MHz To 60MHz; -10dB Min From 60MHz To 80MHz.
8. Cross Talk: -40dB Min From 1MHz-30 MHz; -35dB Min From 30MHz To 60MHz; -30dB Min From 60MHz To 100MHz.
9. CMR: -35dB Min From 1MHz-100MHz 10:1-Pot: 1500V AC 6S 1mA.

CSCONN

CSCONN PRECISE ELECTRONICS CO., LTD

UNITS:	mm
GENERAL TOLERANCE	
X. ± 5°	0. X ± 0.25
X. 1 ± 2°	0. XX ± 0.2
XX ± 1°	0. XXX ± 0.1

PART NO. (INTENDED USE)	CRJ08211603001
APPD:	Skilia
CHKD:	DR:
	Kitty

TITLE:	RJ45 8P D1P90 10/100BASE LED有弹
DWG NO.	RJ45
SCALE	1:1
SHEET	1 OF 1
REV	A