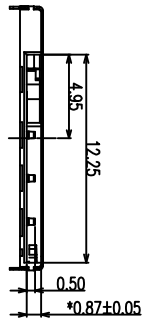
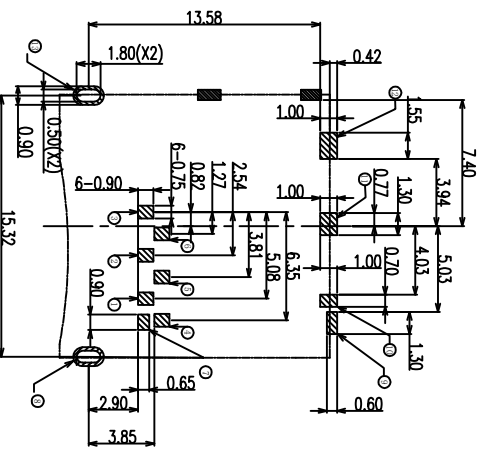
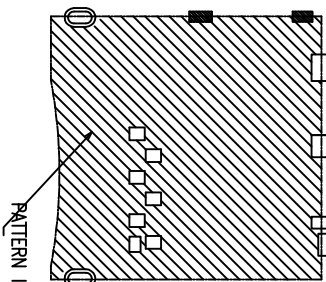


- NOTES:
1. MATERIAL: HOUSING SLIDER: THERMOPLASTIC RESIN
UL 94V-0 COLOR: BLACK
CONTACT: COPPER ALLOY
SHELL: STAINLESS STEEL
COIL: SWP
CAM ROD: STAINLESS STEEL
 2. FINISH CONTACT: Au PL AT CONTACT AREA
Au PL AT SOLDERING AREA
SHELL: Au PL AT SOLDERING AND SWITCH AREA
 3. NON-CUMULATIVE TOLERANCE
 4. COPLANARITY IS 0.1MAX
 5. CIRCUIT DRAWING OF SWITCH
 6. OVERALL TOLERANCE: +/-0.1

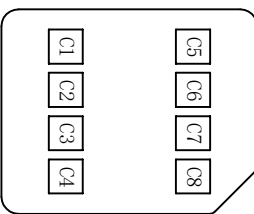


Connector pin Assignment

No.	Pin Name	Description
○	C1	Vcc of SIM
○	C2	RST of SIM
○	C3	CLK of SIM
○	C5	GND of SIM
○	C6	Vpp of SIM
○	C7	I/O of SIM
○-○	GND	Detection Switch Shell Ground

SIM Card Pin Assignment

Pin No.	Name
C1	Vcc
C2	RST
C3	CLK
C4	Reserved
C5	GND
C6	Vpp
C7	I/O
C8	Reserved



SIM CARD PAD LAYOUT

UNITS: mm

GENERAL TOLERANCE

X. ±5°	0. XX±0.25
X.1 ±2°	0. XX±0.2
XX. ±1°	0. XX±0.1

CSCONN

PART NO. (INTENDED USE)
CS106127135001

APPD: Skilla

CHKD: Kitty

DR: Kitty

CSCONN PRECISE ELECTRONICS CO., LTD

TITLE: MICRO SIM SOCKET PUSH 1.35H

DWG NO. SIM CARD

SCALE	SHEET	REV
1:1	1 OF 1	A