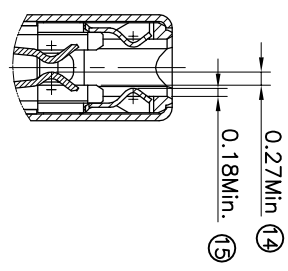
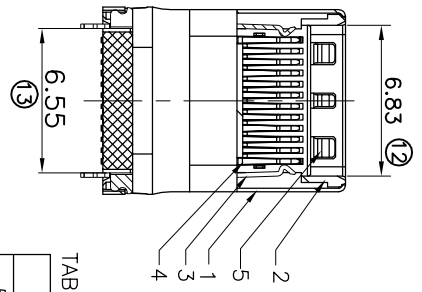
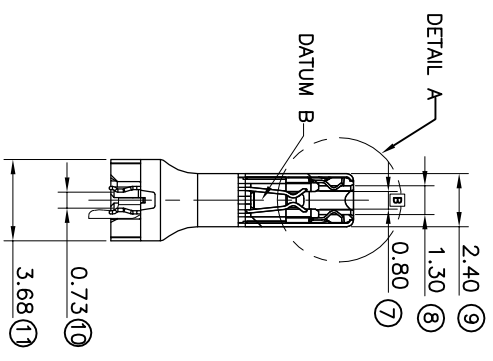
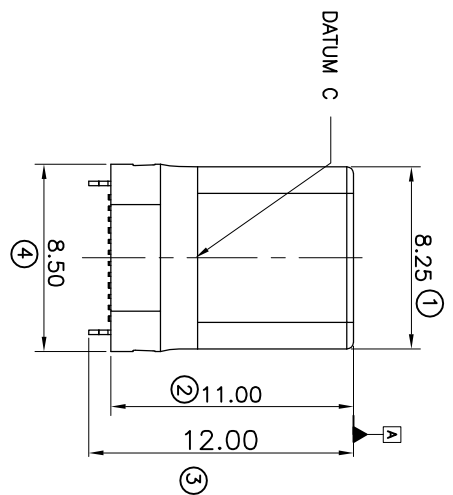


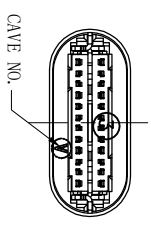
3D VIEW SCALE 1 : 1



DETAIL A SCALE 2 : 1

TABLE1:

NO.	NAME	DESCRIPTION
1	SHELL	Stainless Steel; SUS316L, T=0.15mm;
2	HOUSING	LCP Thermoplastic, UL94V-0;
3	LATCH	Stainless Steel; SUS301, T=0.20mm;
4	CONTACT	Copper Alloy; AUNI5n;
5	EMC SPRING	Stainless Steel; SUS301, T=0.10mm;



CAVE NO.

CSCONN

CSCONN PRECISE ELECTRONICS CO.,LTD

UNITS: mm	
GENERAL TOLERANCE	
X.° ±5°	0.X ±0.25
X.1 ±2°	0.XX ±0.2
XX. ±1°	0.XXX ±0.1

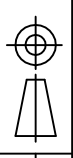
PART NO. (INTENDED USE)
CUS31241282005

TITLE: USB TYPE C MALE 夹板式

APPD: SKI1a

CHKD: SKI1a

DR: Kitty



SCALE 1:1

SHEET 1 OF 1

REV A

E

D

C

B

A

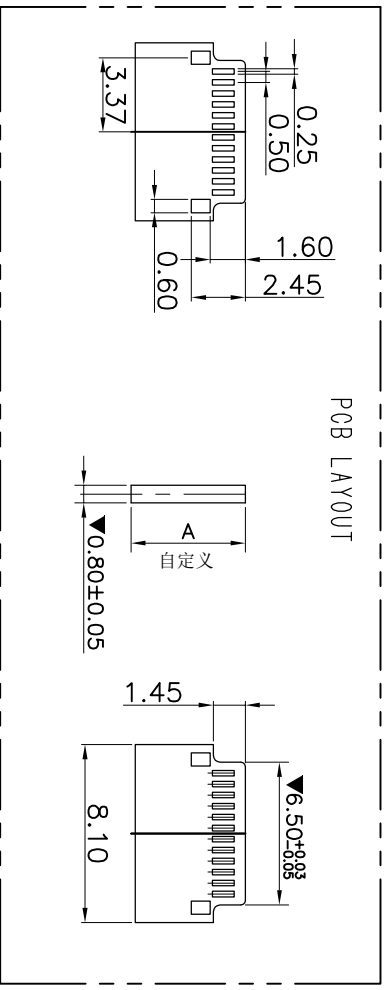
E

D

C

B

A



NOTES:

- 1.Material:SEE TABLE1;
- 2.Plating specification,
- 2-1.Contact:
Contact area: Ni50u"Min/Au See Table3;
Solder area: Ni50u"Min/Sn100u"Min.
Other area: Ni 50u"Min.
- 2-2.Shell: Ni50u"~150u";
- 2-3.Latch:
Solder area: Ni50u"Min/Sn100u"Min.
Other area: Ni 50u"Min.
- 3.Mechanical Performance ,
3-1.Insertion Force:5~20N;
3-2.Extraction Force:8~20N after 10000 cycles;
3-3.Durability:10000 cycles.
- 4.Electrical Performance,
4-1.Insulation Resistance:100MΩ Min.
4-2.Contact Resistance :50mΩ Max.
4-3.Dielectric Strength :100V AC.
- 5.The product accords with ROHS STD.

UNITS: mm		CSCONN	CSCONN PRECISE ELECTRONICS CO.,LTD		
GENERAL TOLERANCE			TITLE: USB TYPE C MALE 夹板式		
X. ° ±5°	0.X±0.25	PART NO.(INTENDED USE)	DWG NO. USB		
X.1±2°	0.XX±0.2	CUS31241192004	SCALE	SHEET	REV
APPD:		CHKD: Skilla	1:1	1 OF 1	A
XX: ±1°	0.XXX±0.1	DR: Kitty			