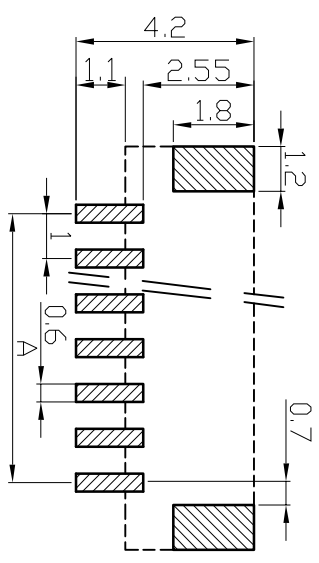
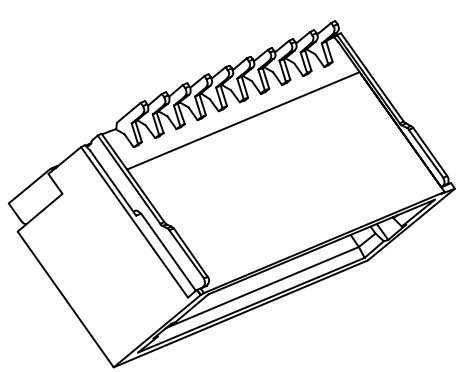


適合APP
編帶專用

| 極數 poles | A | B | C |
|-------------|----|----|------|
| 2 | 1 | 4 | 2.4 |
| 3 | 2 | 5 | 3.4 |
| 4 | 3 | 6 | 4.4 |
| 5 | 4 | 7 | 5.4 |
| 6 | 5 | 8 | 6.4 |
| 7 | 6 | 9 | 7.4 |
| 8 | 7 | 10 | 8.4 |
| 9 | 8 | 11 | 9.4 |
| 10 | 9 | 12 | 10.4 |
| 11 | 10 | 13 | 11.4 |
| 12 | 11 | 14 | 12.4 |
| 13 | 12 | 15 | 13.4 |
| 14 | 13 | 16 | 14.4 |
| 15 | 14 | 17 | 15.4 |
| 16 | 15 | 18 | 16.4 |
| 17 | 16 | 19 | 17.4 |
| 18 | 17 | 20 | 18.4 |
| 19 | 18 | 21 | 19.4 |
| 20 | 19 | 22 | 20.4 |



PCB Layout

SPECIFICATION
 1. Material:
 Housing: HIGH-TEMP Plastic, UL94V-0, color: Natural.
 Contacts: Copper alloy.
 Solder tab: Copper alloy.
 2. Electrical Characteristics:
 Current rating: 0.5A(max).
 Voltage rating: 150V(max).
 Operating Temperature: -25°C~+85°C.
 Insulation resistance: 1000M ohms min. at 800V DC
 Dielectric withstanding voltage: 800V AC/minute.
 Contact resistance: 30m ohms max.

| | | | | | | | | | | | |
|--------------------|------------|-------------------------|-------|-------------------|---------------|-------|--|--------|--|-----|--|
| UNITS: mm | | PART NO. (INTENDED USE) | | TITLE: | | SCALE | | SHEET | | REV | |
| GENERAL TOLERANCE: | | CWF-10XXL-T | | WAFER 1.0MM XP 立贴 | | 1:1 | | 1 OF 1 | | A | |
| X. ±5° | 0. X±0.25 | APPD: | CHKD: | DR: | DWG NO. WAFER | | | | | | |
| X. 1±2° | 0. XX±0.2 | | Skila | Kitty | | | | | | | |
| XX. ±1° | 0. XXX±0.1 | | | | | | | | | | |

CSCONN

CSCONN PRECISE ELECTRONICS CO., LTD

