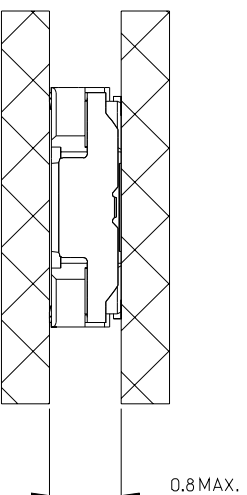
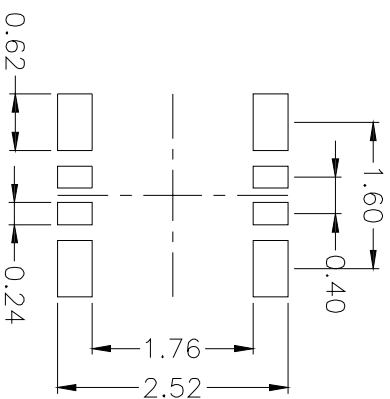
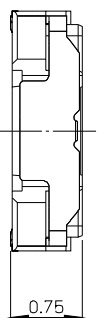


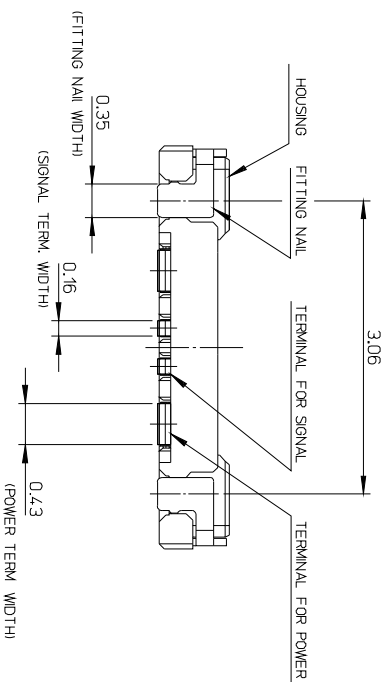
- NOTES:
1. HOUSING MATERIAL: LCP UL94V_0, BLACK
 2. TERMINAL MATERIAL: C7025, GOLD PLATED ON NICKEL OVERALL
 3. FITTING NAIL: COPPER ALLOY
- SPECIFICATIONS:
1. ELECTRICAL CHARACTERISTICS:
 - 1-1. RATING CURRENT: 1,4,5,8 PIN 3A
 - 2,3,6,7 PIN 0.3A
 - 1-2. VOLTAGE RATING: 50V DC
 - 1-3. CONTACT RESISTANCE: 50mΩ MAX.
 - 1-4. DIELECTRIC WITHSTANDING VOLTAGE: 500V AC FOR ONE MINUTE.
 - 1-5. INSULATION RESISTANCE: 1000MΩ MIN.
2. OPERDITNG TEMPERATURE: -40°C TO +85°C



MATED CONDITION



RECOMMENDED PCB LAYOUT



1 2 3 4 5 6 7 8

1

2

3

4

5

6

7

8

UNITS: mm		CSCONN		CSCONN PRECISE ELECTRONICS CO.,LTD	
GENERAL TOLERANCE		PART NO.(INTENDED USE)		TITLE:	
X. ±5°	0.X±0.25	CBT-043008F-08		BTB 0.4MM 8P FEMALE H=0.8MM	
X. 1±2°	0.XX±0.2	APPD:		DWG.NO. BTB	
XX. ±1°	0.XXX±0.1	CHKD: Skila		SCALE	
		DR: Kitty		1:1	
				SHEET	
				1 OF 1	
				REV	
				A	

E

D

C

B

A

E

D

C

B

A