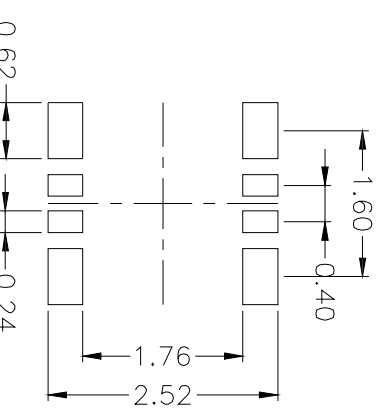
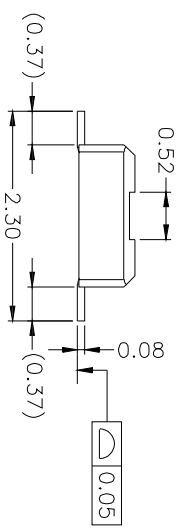
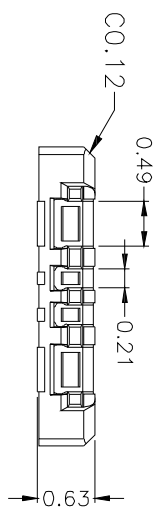
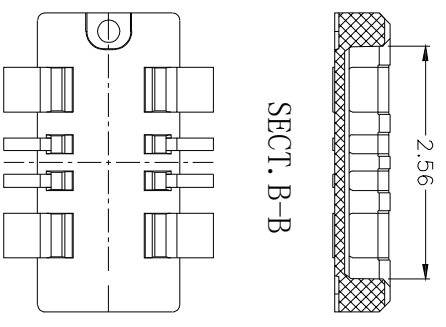


MATING CONDITION

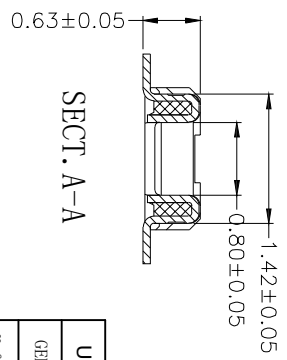


RECOMMENDED PCB LAYOUT

SECT. B-B



SECT. A-A



- NOTES:
1. HOUSING MATERIAL: LCP UL94V\_0, BLACK
  2. TERMINAL MATERIAL: C7025, GOLD PLATED ON NICKEL OVERALL
- SPECIFICATIONS:
1. ELECTRICAL CHARACTERISTICS:
- 1-1. RATING CURRENT: 1,4,5,8 CONTACT 3A  
2,3,6,7 CONTACT 0.3A
  - 1-2. VOLTAGE RATING: 50V DC
  - 1-3. CONTACT RESISTANCE: 50mΩ MAX.
  - 1-4. DIELECTRIC WITHSTANDING VOLTAGE: 500V AC FOR ONE MINUTE.
  - 1-5. INSULATION RESISTANCE: 1000MΩ MIN.
2. OPERDTING TEMPERATURE: -40°C TO +85°C

UNITS: mm		<b>CSCONN</b>		CSCONN PRECISE ELECTRONICS CO., LTD	
GENERAL TOLERANCE		PART NO. (INTENDED USE)		TITLE:	
X. ±5°	0. X ± 0.25	CBT-043008M-08		BTB 0.4MM 8P MALE H=0.8MM	
X.1 ± 2°	0. XX ± 0.2	APPD:		DWG NO. BTB	
XX. ± 1°	0. XXX ± 0.1	CHKD: Skila		SCALE	
		DR: Kitty		1:1	
				SHEET	
				1 OF 1	
				REV	
				A	