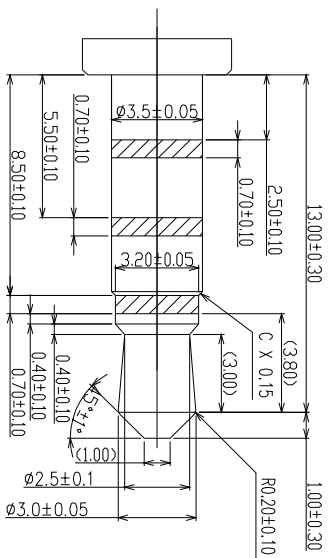
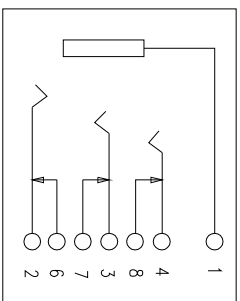


PCB LAYOUT TOP VIEW



Ø3.50mm 4 POLE PLUG DETAIL DRAWING



CIRCUIT DIAGRAM

UNIT:	mm
GENERAL TOLERANCE	
X. ° ±5°	0. X±0.3
X.1 ±2°	0. XX±0.2
XX ±1°	0. XXX±0.1
XXX ±0.5°	

NO.	PART NAME	QTY	MATERIAL (THICK, COLOR)	REMARK
⑤	HOUSING	1	PA 9T	Black
④	TERMINAL	1	PHOSPHOR BRONZE: t=0.20	Av-Plated
③	TERMINAL	2	PHOSPHOR BRONZE: t=0.20	Av-Plated
②	TERMINAL	4	PHOSPHOR BRONZE: t=0.25	Av-Plated
①	TERMINAL	4	PHOSPHOR BRONZE: t=0.25	Av-Plated

**CSCONN**

CSCONN PRECISE ELECTRONICS CO.,LTD

PART NO.(INTENDED USE)  
CPTJ3009

TITLE:  
PHONE JACK

APPD:  
SK11a

DWG NO.  
JACK

CHKD:  
KITTY

SCALE  
1:1

DR:	KITTY	SHEET	1 OF 1	REV	A