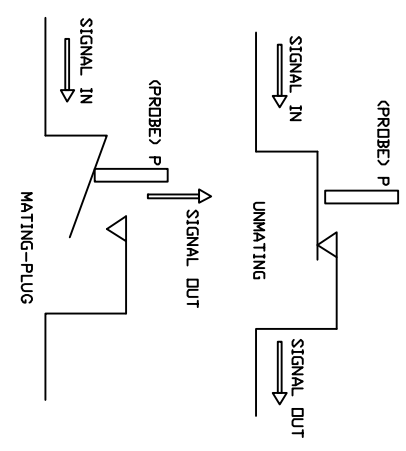
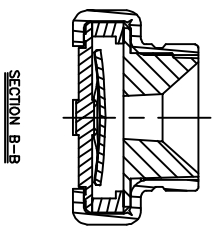
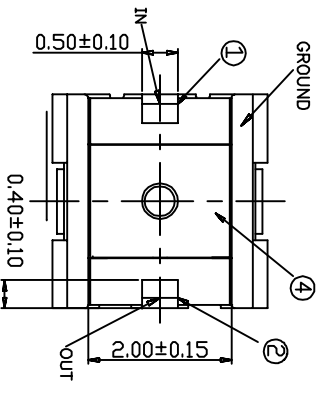
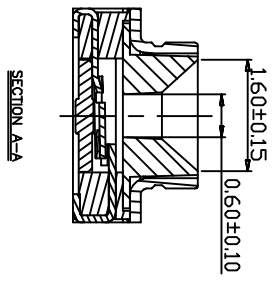


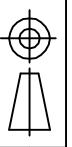
RECOMMEND PCB LAYOUT  
(General Tolerance:±0.05)

The standard solder stencil mask pattern  
(Mask thickness 0.15mm)



4	Case	Engineering plastic	UL 94V-0-BLACK	1
3	Output terminal	Copper Alloy	Ni Overall>Contact Area Au Soldering Area Gold Flash	1
2	Input terminal(R)	Copper Alloy	Ni Overall>Contact Area Au Soldering Area Gold Flash	1
1	Input terminal(C)	Stainless Steel	Ni Overall>Contact Area Au Soldering Area Gold Flash	1
No	Part Name	Material	Finish	Qty

UNITS: mm		<b>CSCONN</b>	CSCONN PRECISE ELECTRONICS CO.,LTD
GENERAL TOLERANCE			
X: ±5°	0.X±0.25	PART NO. (INTENDED USE)	TITLE: MINI RF H=1.75MM SMT
X.1±2°	0.XX±0.2	CRF3030175001	
XX: ±1°	0.XXX±0.1	APPD:	DWG NO. RF
		CHKD: Skilla	
		DR: Kitty	



SCALE	SHEET	REV
1:1	1 OF 1	A