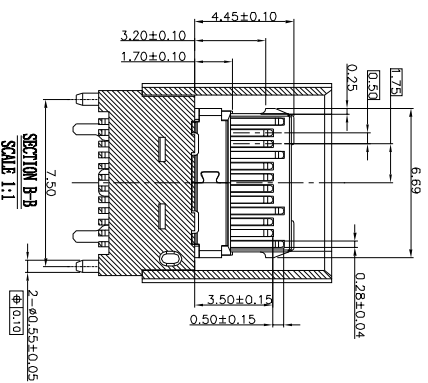
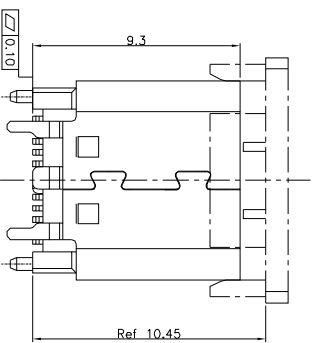


RECOMMENDED P.C.B. LAYOUT (1:1.00mm)  
TOLERANCE UNSPECIFIED ±0.05mm



NOTES:  
SPECIFICATION:

1. CURRENT RATING: 3.0A MAX
2. VOLTAGE: 100 VAC
3. TEMPERATURE RANGE: -30 °C ~ 85 °C
4. CONTACT RESISTANCE: 40 MILLIONHM MAX
5. INSULATION RESISTANCE: 100 MEGOHMS MIN.
6. INSERTION FORCE : 5N~20N
7. UNMATING FORCE: 8N~20N
8. DURABILITY: 10,000 CYCLES

<b>UNITS: mm</b>		<b>CSCONN</b>		<b>CSCONN PRECISE ELECTRONICS CO.,LTD</b>	
<b>GENERAL TOLERANCE</b>		<b>PART NO.(INTENDED USE)</b>		<b>TITLE: USB TYPE C FEMALE ㄩㄗ</b>	
X ±0.25	X ±0.25	CJSS1121001004		<b>DWG NO. USB</b>	
X ±0.2	0.1X±0.2	<b>APPD:</b>		<b>SCALE SHEET</b>	
X ±0.1	0.1X±0.1	<b>CHKD: Sk11a</b>		1:1 1 OF 1 REV	
		<b>DR: Kitty</b>		A	